

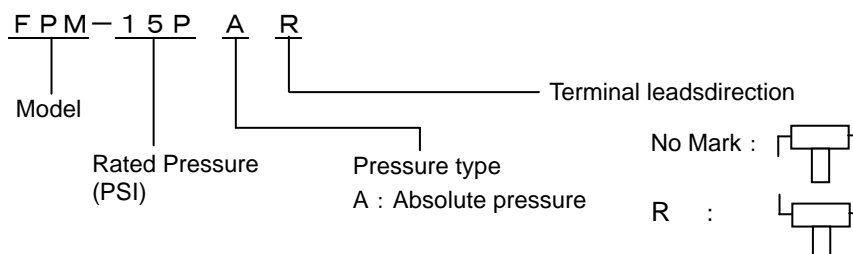
■ Features

Barometric pressure measurable
Dual-in-line package (DIP)

■ Applications

- Industrial instrumentation
- Medical device
- Barometer, Altimeter
- Altitude compensation

■ Part number for ordering



	Weight (grams)
	1.5

RoHS compliance

Measurable pressure range (kPa·abs)	Part number for ordering	
34.66~168.0	FPM-15PA	FPM-15PAR

■ Specifications

Model	FPM-15PA / FPM-15PAR	Unit	
Recommended operating conditions			
Pressure type	Absolute pressure	—	
Rated pressure	168.0	kPa·abs	
Measurable pressure range	34.66~168.0	kPa·abs	
Temperature range	0~50	°C	
Pressure media	Non-corrosive gases only (No liquid)	—	
Excitation current (Constant)	1.5	mADC	
Absolute maximum rating			
Maximum load pressure	Twice of rated pressure	—	
Maximum excitation current	3.0	mADC	
Operating temperature	-20~100	°C	
Storage temperature	-40~120	°C	
Operating humidity	30~80 (Non dew condition)	%RH	
Electric characteristics (Drive Current 1.5mA constant, ambient temperature Ta=25°C)			
Output span voltage	80~160 (at 34.66~168.0kPa·abs)	mV	
Offset voltage	50~130 (at 101.3 kPa·abs)	mV	
Bridge resistance	4000~6000	Ω	
Response time	2 (for the reference)	msec	
Accuracy	TSO*	±3	%FS/0~50°C
	TCS*	2.5	%FS/0~50°C
	Linearity	±0.3	%FS
	Pressure hysteresis	±0.2	%FS

*TSO: Temperature sensitivity of offset voltage

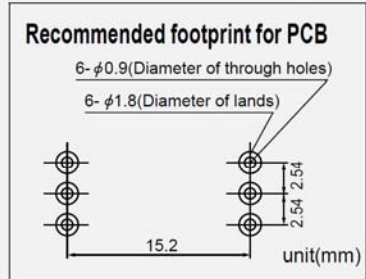
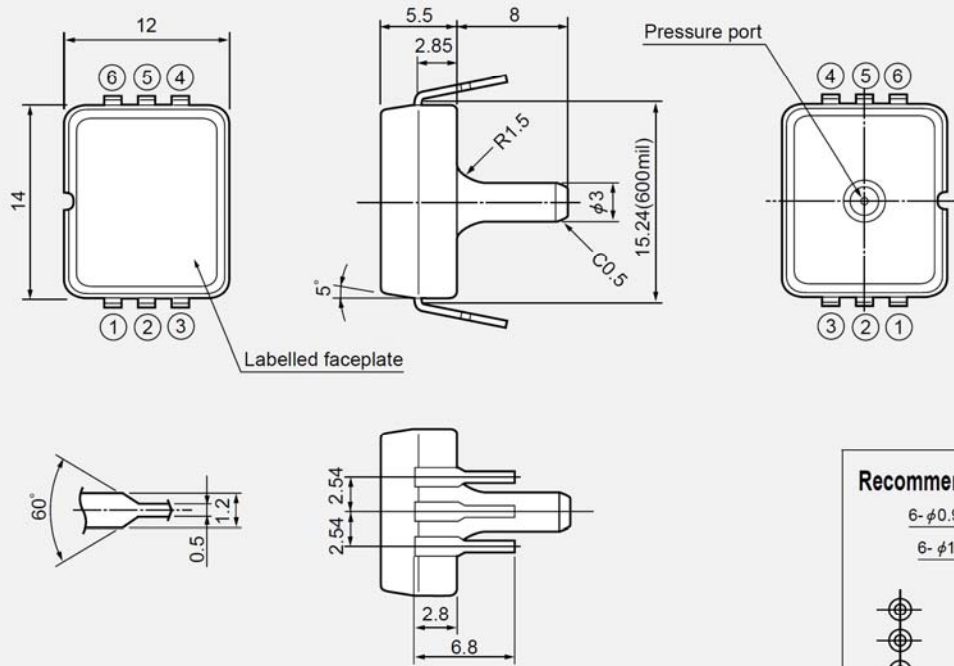
*TCS: Temperature coefficient of output span voltage

*Temperature range from 0-50 deg C

■ Outline dimensions ■

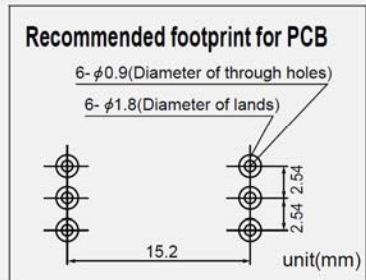
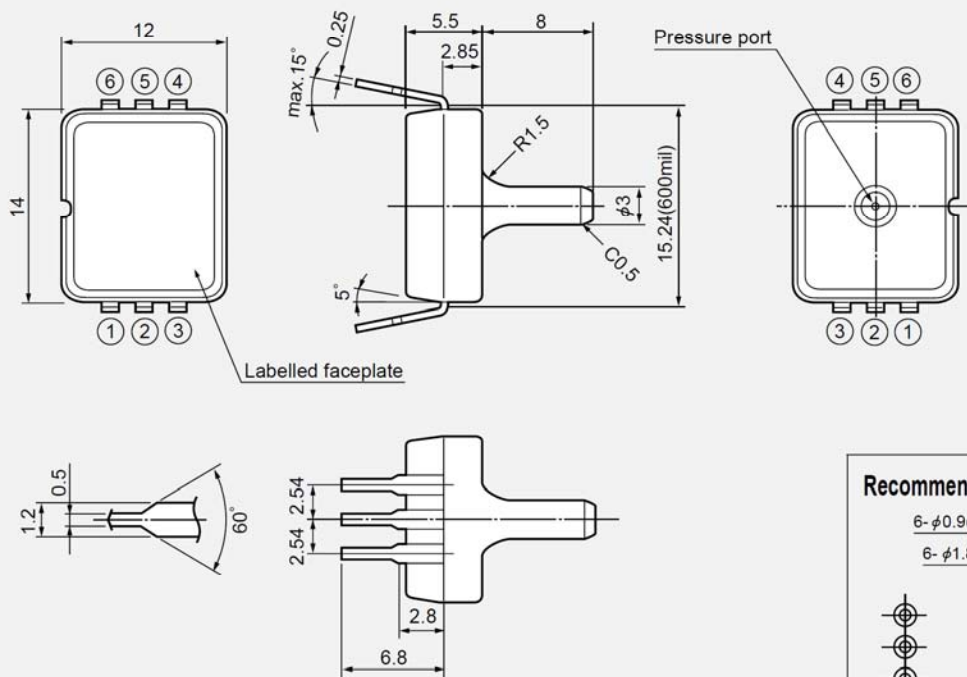
Unit (mm)

FPM (Absolute pressure)

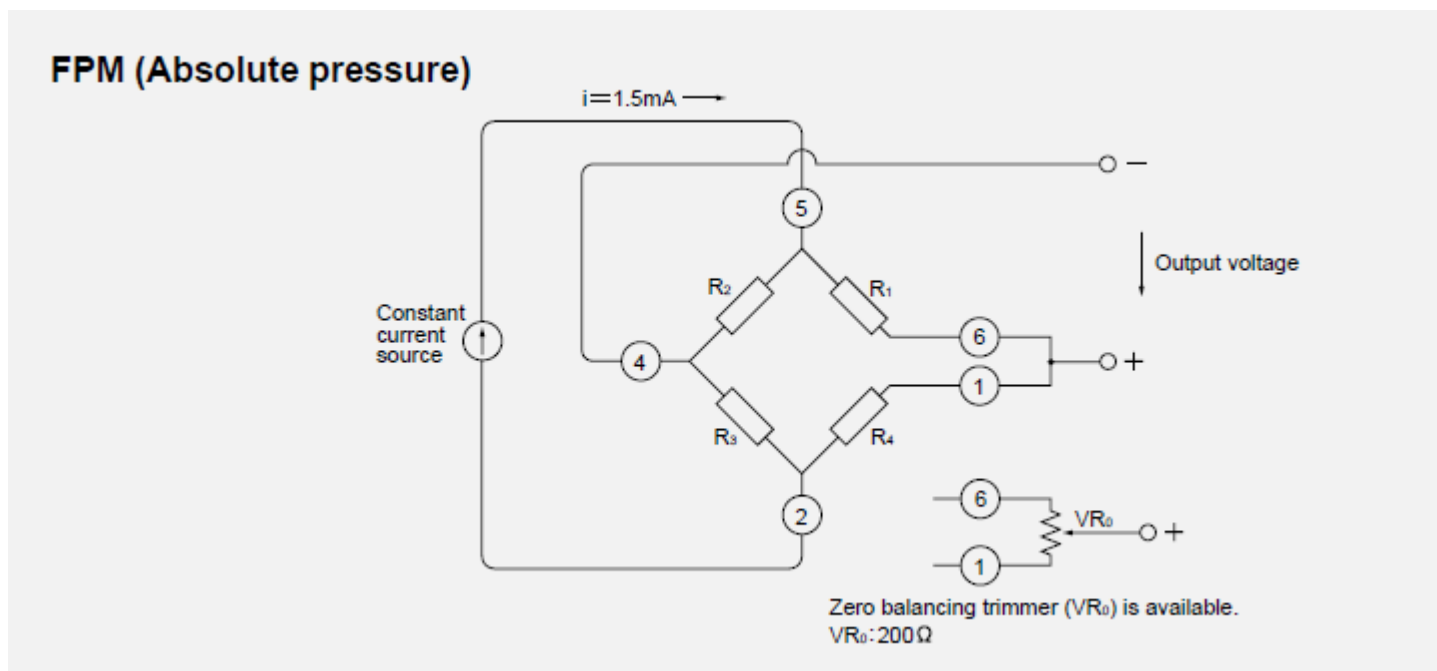


FPM-R (Absolute pressure)

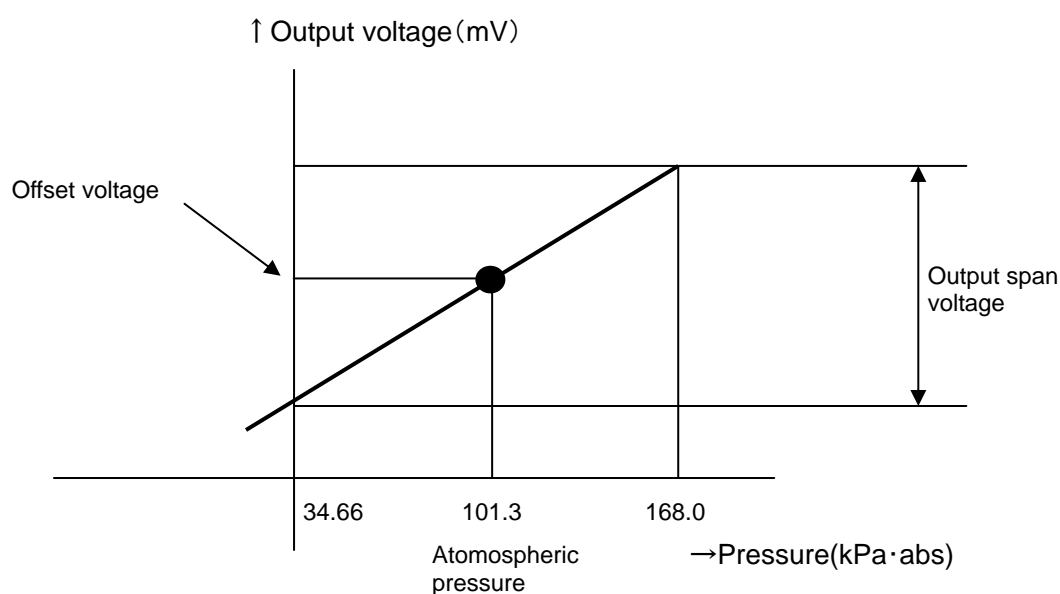
Unit (mm)



■ Connection diagram ■



■ Output characteristics ■



Note ; Please read instruction “Notes” before using the sensor.
 Fujikura reserves the right to change specifications without notice.

If you have any questions regarding technical issues or specifications, please contact us.
 Sensor Engineering Department 5-1 Kiba 1-chome, Koto-ku, Tokyo 135-8512, Japan
 Phone +81-(0)3-5606-1072
 E-mail : sensor@fujikura.co.jp