

Specifications

Measurement Specifications

Input range	500 to 100,000 Ω
Sensor excitation voltage	2.5 Vdc
Offset temperature stability (max)	0.5 ppm/ $^{\circ}$ C
Gain temperature stability (max)	50 ppm/ $^{\circ}$ C
Accuracy	0.01% of FR
Non linearity before linearization (max)	25ppm of FR
Internal resolution/Bits	16,000,000 / 24
Noise free resolution/Bits at 1 sample per second	TBC
Transmission rates	From 5ms to 1 day

Battery Life

Transmitting results at 3 per second , no excitation required	
Pair AA cells constantly on	1 month
Pair AA cells 12 sessions per day of 5 mins	2 years
Pair DD cells constantly on	4.5 months
Pair DD cells 12 sessions per day of 5 mins	>9 years

Power Supply

ACMi and OEM module	2.1 to 3.6 Vdc
ACM	5 to 18 Vdc

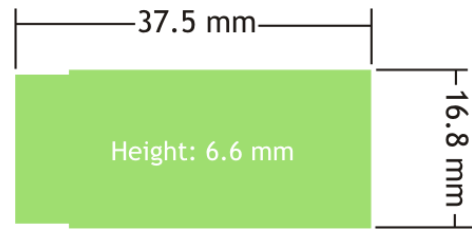
Radio

Radio type	Licence exempt transceiver
Radio frequency	2.4 GHz
Transmit power	10 mW
Range	Up to 800 m

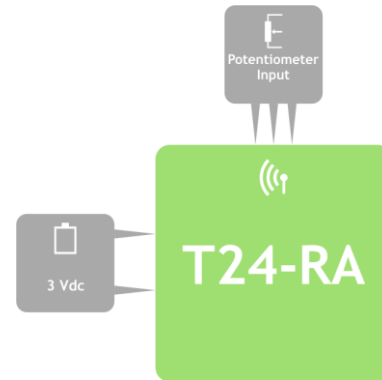
Environmental

Operating temperature range	-20 to 55 $^{\circ}$ C
Storage temperature range (no batteries)	-40 to 85 $^{\circ}$ C
Maximum humidity	95% non-condensing
IP rating (ACM and ACMi)	IP67/Nema4

Mechanical



Electrical



Order Codes

T24-RAe

Wireless potentiometer OEM transmitter module for external antenna

T24-RAi

Wireless potentiometer OEM transmitter module with antenna

T24-ACM-RA

Wireless potentiometer transmitter module in IP67 enclosure supporting two D batteries or external power supply.

T24-ACMi-RA

Wireless potentiometer transmitter module in IP67 enclosure for two AA batteries

T24-ACMm-RA

Wireless potentiometer transmitter module in miniature IP50 enclosure

1 SENSOR
INPUT

3 HOUSING
OPTIONS

Every T24 transmitter module can be ordered in **one of three** IP rated enclosures.

To aid your work, they provide:

- Power Supply
- Water & Dust Protection
- Field Connectivity
- Ready-Made Mounting Solution

ACM



ACMi



ACMm



Enclosure	ACM	ACMi	ACMm				
Wireless range / m	800 m (2,600 ft)		500 m (1,600 ft)				
Power supply	3-18 Vdc or 2xD cell	3 Vdc (2xAA)	3 Vdc (2xAAA with BB1)				
Battery life at 1 transmission per second*	1 year	5 months	2 months				
Antenna	ANTA	ANTA	PCB Printed				
Radio frequency	2.4 GHz						
Operating temperature /°C	-20 to +55	-20 to +55	-40 to +80				
Environmental protection	IP67		IP50				
Module size / mm	164 x 84 x 57	80 x 62 x 34	76 x 35 x 20				
Software & configuration	T24 Toolkit & T24LOG100						
Input modules (determined by order code)	SA Strain	SA f Strain(2kHz)	IA Current	VA Voltage	TA Temperature	PA Pulse	RA Potentiometer
Order codes:	T24-ACM-SA T24-ACMi-SA T24-ACMm-SA	T24-ACM-SAf T24-ACMi-SAf T24-ACMm-SAf	T24-ACM-IA T24-ACMi-IA T24-ACMm-IA	T24-ACM-VA T24-ACMi-VA T24-ACMm-VA	T24-ACM-TA T24-ACMi-TA T24-ACMm-TA	T24-ACM-SA T24-ACMi-SA T24-ACMm-SA	T24-ACM-RA T24-ACMi-RA T24-ACMm-RA

*For more information please refer to the T24 Acquisition Module Battery Life Calculator