



# Technical Specifications

## Pressure measuring range (mH<sub>2</sub>O)

	1	2 / 4	10
<b>Overpressure</b>	4 bar	6 bar	10 bar
<b>Accuracy, (1), (± % FS)</b>	≤ 0.25	≤ 0.25	≤ 0.25
<b>Thermal shift, (± % FS/°C)</b>			
Zero point -20...80 °C	≤ 0.01	≤ 0.01	≤ 0.01
Span -20...80 °C	≤ 0.01	≤ 0.01	≤ 0.01
<b>Long term stability, (2)</b>	< 0.15% FS	< 0.15% FS	< 0.15% FS

	20	40	100 / 200
<b>Overpressure</b>	18 bar	25 bar	40 bar
<b>Accuracy, (1), (± % FS)</b>	≤ 0.25	≤ 0.25	≤ 0.25
<b>Thermal shift, (± % FS/°C)</b>			
Zero point -20...80 °C	≤ 0.01	≤ 0.01	≤ 0.01
Span -20...80 °C	≤ 0.01	≤ 0.01	≤ 0.01
<b>Long term stability, (2)</b>	< 0.15% FS	< 0.15% FS	< 0.15% FS

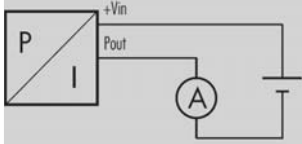
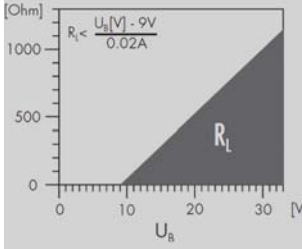
(1) Zero based accuracy according to DIN16086, incl. hysteresis and repeatability at ambient temperature

(2) 1 year (typ.)

## Temperature range

<b>Operating temperature</b>	-5...50 °C
<b>Process temperatur</b>	-5...50 °C
<b>Storage temperatur</b>	-10...60 °C

## Electrical specifications

	4 ... 20 mA
<b>Power supply, (1)</b>	9...30 V DC
Supply influence	< 0.1% FS
<b>Circuit diagram</b>	
<b>Load resistance</b>	
Load influence	< 0.1% FS

(1) Power supply with optional surge (lightning) protection: 15...30 V DC

---

## Qualifications

	Description	Level	Typical interferences
EN 61000-4-2	Electrostatic discharge	4 kV contact 8 kV air	
EN 61000-4-3	Irradiated RF	10V / m (0.08...1 GHz)	Radio sets, wireless phones
EN 61000-4-4	Transients (burst)	2 kV	Motors, valves
EN 61000-4-5, (1)	Surge	10 kA (8 / 20 µs)	Lightning
EN 61000-4-6	Conducted RF	10 V (0.15...80 MHz)	Frequency converters

(1) Only with optional surge (lightning) protection

---

## Physical specifications

<b>Materials</b>	
Transducer	Ceramic Al <sub>2</sub> O <sub>3</sub> (96%)
Housing	Stainless steel (316L / 1.4404)
Seals	Viton (standard), EPDM, Kalrez
Cable	PUR, PE, FEP
<b>Weight (1)</b>	150 g

(1) Specification for a ATM/K/N, closed, cable

## Equipment

---

### Overview

10.00.0091	Accessories overview
------------	----------------------

## Additional documents

---

### Operating and safety instructions

	Article number
10.88.0092	DMM029

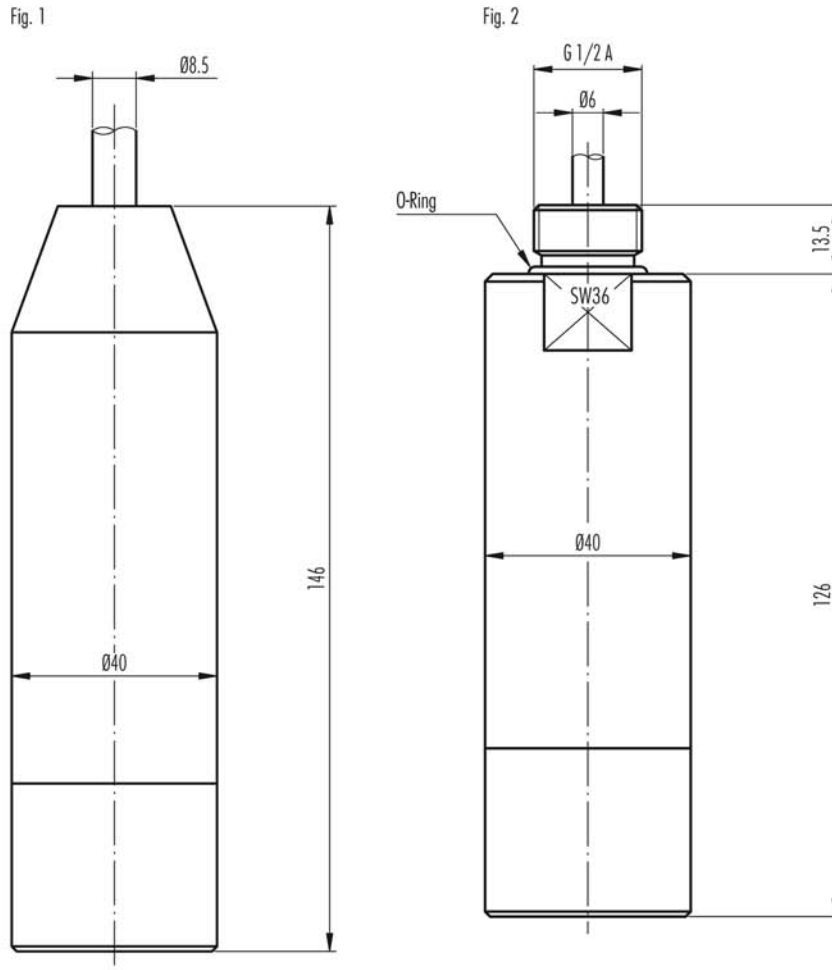
## Ordering information

		X. XXXX.	XXXX.	XX.	XXX
<b>Type</b>	ATM/K/N	54			
<b>Pressure type</b>	Gauge	1			
	Absolute (vacuum)	2			
<b>Pressure measuring range</b>	100 mbar...20 bar	XX			
<b>Process connection</b>	Standard (Fig. 1)	85			
	Customized connections available	99			
<b>Electrical connection</b>	PE cable black IP 68		13		
	PUR cable, black (1)		15		
	PUR cable with G 1/2 M , black (Fig. 2), (1)		32		
	FEP cable, IP 68, black (1)		21		
	Customized connection available		99		
<b>Output signal</b>	4...20 mA		05		
	4...20 mA surge overvoltage protection		08		
<b>Accuracy</b>	≤ ± 0.25 % FS			1	
<b>Temperature range</b>	-5...50 °C compensated (allowed process temperature: -5...50 °C)			4	
<b>Option 1</b>	Seals: Viton (Standard)				U
	Seals: EPDM				S
	Seals: Kalrez (Level)				T
<b>Option 2</b>	Humidity filter element for gauge versions (only for PUR and PE cable)				Z
<b>Option 3</b>					

(1) Please specify the required cable length and medium

# Technical drawings

## Dimensions



Colour 2-Wire  
white +Vin  
yellow Pout

Specifications may change without notice.

**STS Headquarters, Switzerland:**  
STS Sensor Technik Sirmach AG  
Rüthofstrasse 8, 8370 Sirmach, Switzerland  
sales@stssensors.com | www.stssensors.com

**STS France:**  
STS France  
844 Route de la Caille, 74350 Allonzier la Caille, France  
info-fr@stssensors.com | www.stssensors.fr

**STS Germany:**  
STS Sensoren Transmitter Systeme GmbH  
Poststrasse 7, 71063 Sindelfingen, Germany  
info-de@stssensors.com | www.stssensors.de

**STS Great Britain:**  
STS Great Britain Ltd.  
Box 3942 | Warwick | CV34 9AE, United Kingdom  
contact@stssensors.com | www.stssensors.co.uk

**STS Italy:**  
STS Italia s.r.l.  
Via Gesù 5, 20090 Opera (Milano), Italy  
info-italia@stssensors.com | www.stssensors.it