

TCE 6000 Coriolis Transmitter

Features:

- > Programmable control inputs
- > Ready for ESTA applications
- > For use with TRD 8001 Remote Display
- > RS485 (Modbus RTU) and USB interface

Benefits:

- > Transmits flow rate, total, density or temperature
- > Economy version
- > Simple meter configuration
- > Easy interfacing with TRICOR Configuration tool

Specifications:

Supply Voltage:	24 V DC, $\pm 20\%$
Programming:	via TRD 8001 or via interface
Interface:	RS485, USB (option)
EMC:	according to EN 61000-6-4 and 61000-6-2
Power Consumption:	max. 4 W
Electrical Connections:	connectors M12
Housing Material:	aluminum diecast
Protection Class:	IP65

Temperature:

Ambient:	-40 °F ... +158 °F (-40 °C ... +70 °C)
Storage and Transport:	-40 °F ... +176 °F (-40 °C ... +80 °C)

Analog Output:

Current Output:	4 ... 20 mA active
Resolution:	14 bit
Linearity:	$\pm 0.05\%$
Temperature Drift:	0.05 % per 10 K
Load:	< 800 Ω
Output Value (programmable):	flow, total, density, temperature

Pulse Output:

Frequency Range:	0.5 - 10,000 Hz (for ESTA (OPTV receiver) 0.5 - 5,000 Hz)
Output Signal:	active push-pull output for flow rate optional: isolated optical pulse output

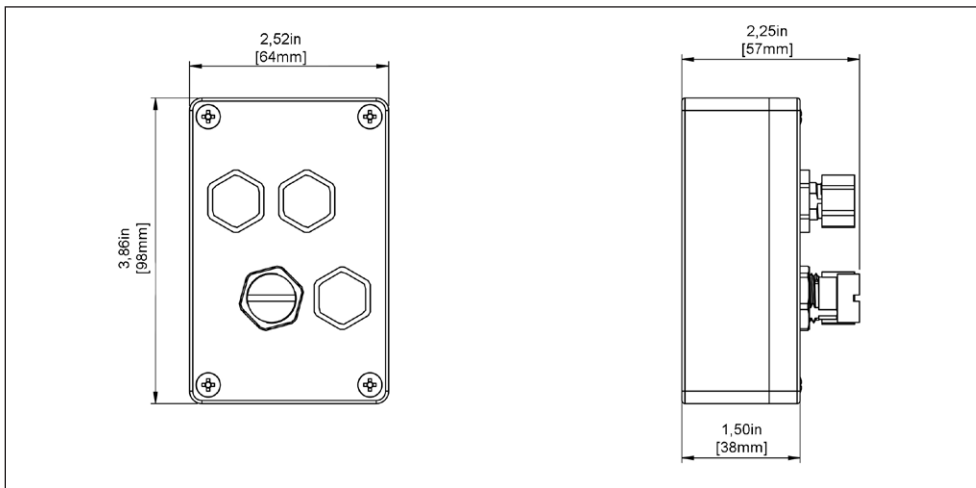
Status In- and Output:

Status Output:	push pull programmable (option) (in TOTAL mode: 0.5 - 100 Hz)
Control Input (programmable):	standard: 1 input/option: 2 inputs optional: insulated optical control input



Note: For parameterization of the flow meter, the interface may be used.
Prerequisite: Parameter setting is not allowed during active ESTA operation.

Meter Dimensions:



Ex Certifications:

ATEX (Exn) ¹⁾	Zone 2: II 3G Ex nA IIC T2...T4 Gc
--------------------------	------------------------------------

¹⁾ Only if powered by an SELV supply.