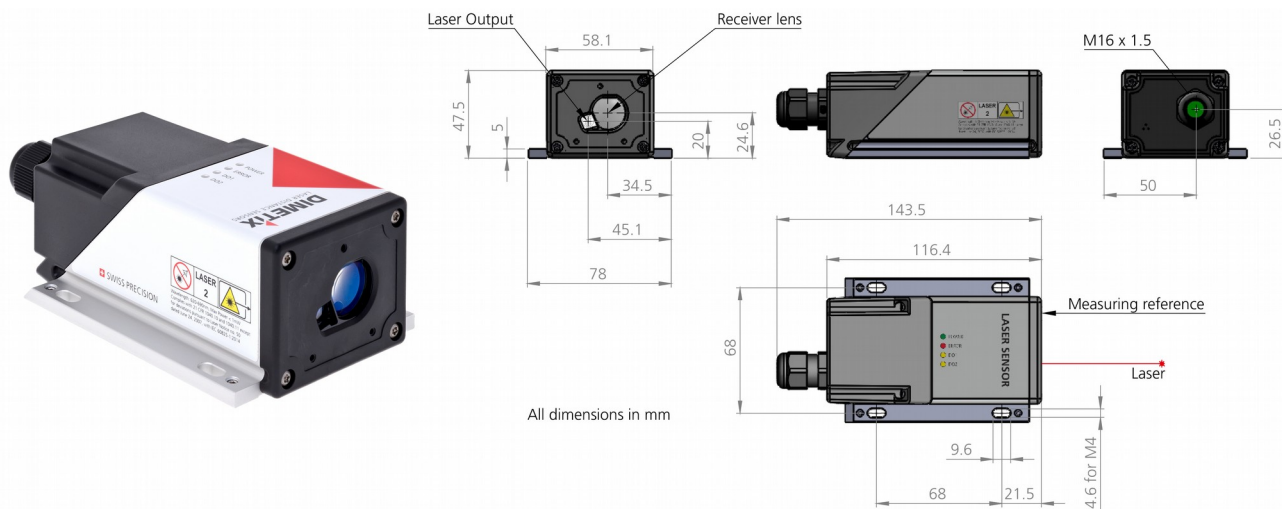


Laser Distance Sensors D-Series

Type DPE-10-500



Part No. 500630

SPECIFICATION

Typical accuracy @ $\pm 2\sigma$ (@ $\pm 1\sigma$)	± 1 (± 0.5) mm
Typical repeatability @ $\pm 2\sigma$ (@ $\pm 1\sigma$)	± 0.3 (± 0.15) mm
Measuring range on natural surfaces	0.05...~100 m
Measuring range on reflective foil	~0.5...500 m
Max. measuring rate	250 Hz
Max. output rate	1 kHz
Operating temperature	-40...+60°C
Degree of protection	IP65
Power supply	12...30 VDC (0.5A @ 24 VDC)
Laser red, visible (Laser Class 2, <1mW)	✓
Typical diameter of laser dot @ 10, 50, 100 m	7 x 3 mm; 28 x 13 mm; 55 x 30 mm
Dimension (L x W x H)	140 x 78 x 48 mm
Weight	350 g

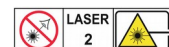
INTERFACES

Analog output, programmable	0/4...20 mA
Max. error analog output	± 0.1 %
Digital input, programmable	1
Digital output, programmable / error display (Type: NPN, PNP, Push-Pull)	2 / 1
Serial Interfaces: RS-232, RS-422 / RS-485, SSI	✓
USB, only for configuration	✓
Optional: PROFIBUS (external) / PROFINET / EtherNet/IP / EtherCAT	✓

CONNECTION

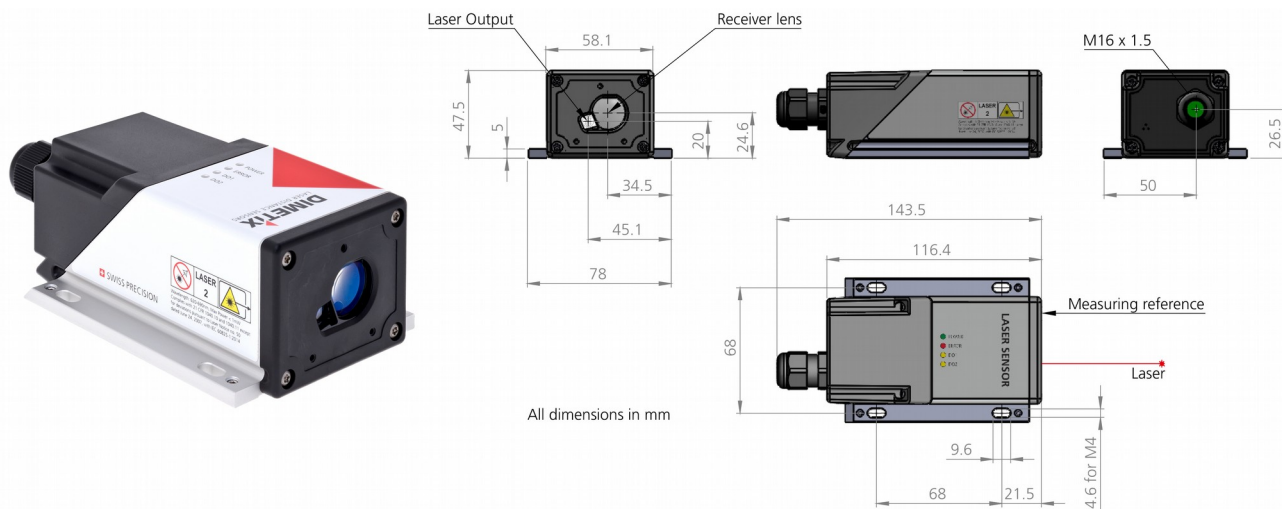
Internal screw terminals	✓
--------------------------	---

Subject to change without notice. Further our General Terms and Conditions of Sale and Supply ("GTC") are valid.



Laser Distance Sensors D-Series

Type DPE-30-150



Part No. 500631

SPECIFICATION

Typical accuracy @ $\pm 2\sigma$ (@ $\pm 1\sigma$)	± 3 (± 1.5) mm
Typical repeatability @ $\pm 2\sigma$ (@ $\pm 1\sigma$)	± 0.7 (± 0.35) mm
Measuring range on natural surfaces	0.05...~100 m
Measuring range on reflective foil	~0.5...150 m
Max. measuring rate	250 Hz
Max. output rate	1 kHz
Operating temperature	-40...+60°C
Degree of protection	IP65
Power supply	12...30 VDC (0.5A @ 24 VDC)
Laser red, visible (Laser Class 2, <1mW)	✓
Typical diameter of laser dot @ 10, 50, 100 m	7 x 3 mm; 28 x 13 mm; 55 x 30 mm
Dimension (L x W x H)	140 x 78 x 48 mm
Weight	350 g

INTERFACES

Analog output, programmable	0/4...20 mA
Max. error analog output	± 0.1 %
Digital input, programmable	1
Digital output, programmable / error display (Type: NPN, PNP, Push-Pull)	2 / 1
Serial Interfaces: RS-232, RS-422 / RS-485, SSI	✓
USB, only for configuration	✓
Optional: PROFIBUS (external) / PROFINET / EtherNet/IP / EtherCAT	✓

CONNECTION

Internal screw terminals	✓
--------------------------	---

