

5930-5932

MINIATURE TENSION AND COMPRESSION LOAD CELLS



Sealed and compact tension and compression sensors.

Model 5930 - 1 kN



Features

- o Protection class: IP65
- o Very competitive prices
- o Tension and / or compression (universal)
- o Load accessories available
- o Material:
 - stainless steel (5930)
 - anodised aluminium alloy (5932)
- o Cable length: 1.5 m (other lengths available on request)

Most popular options



Ex i

IP67
MARINE

IP68

Application(s) load cells 5930-5932 are perfectly designed for the following applications:

- Industrial force measurement in small spaces.

Capacities

5932: 200 - 300 - 500 N

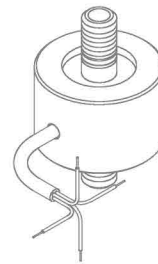
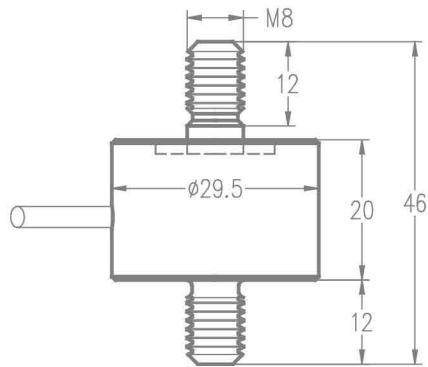
5930: 1 - (1.5) - 2 - (3) - 5 kN

Specifications

Specifications	1 %	
Combined error (non-linearity + hysteresis)	<± 1	% F.S.*
Repeatability error	<± 0.5	% F.S.*
Creep error over 30 min.	<± 0.25	% F.S.*
Zero shift after loading	<± 0.2	% F.S.*
Reference temperature	23	°C
Compensated temperature range	-10...+45	°C
Service temperature range	-25...+70	°C
Storage temperature range	-50...+85	°C
Temperature coefficient of the sensitivity	<± 0.2	% F.S./10°C
Temperature coefficient of zero signal	<± 0.2	% F.S./10°C
Zero balance	± 0.05	mVV
Nominal sensitivity	1.5	mVV
Input resistance	1000 ± 100	ohm(s)
Output resistance	1000 ± 100	ohm(s)
Insulation resistance (50 V)	> 5000	Mohm(s)
Reference excitation voltage	10	VDC
Reference excitation voltage	5	-
Permissible nominal range of excitation voltage	3...10	VDC
Safe load limit	120	% F.S.*
Breaking load	>300	% F.S.*
Permissible dynamic loading	40	% F.S.*

* F.S. : Full Scale.

Specifications subject to change without notice.

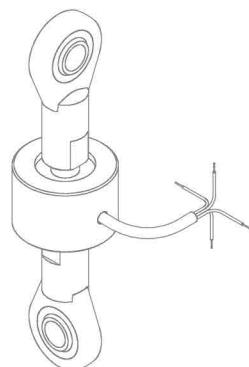
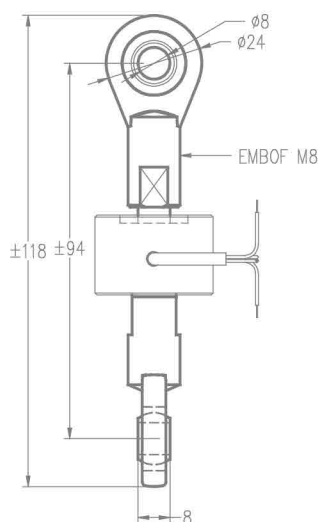


Ref. Item*	Capacities	Weight (kg)
5932-A	200 - 500 N (20 - 50 kg)	0.051
5930-A	1 - 5 kN (100 - 500 kg)	0.098

→ Other capacities and dimensions available on request

Dimensions in mm

Accessories

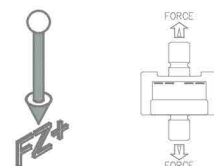


Wiring

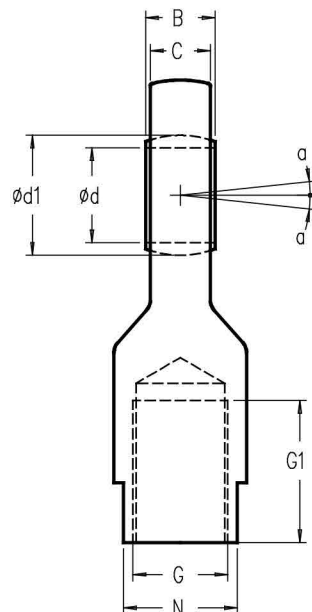
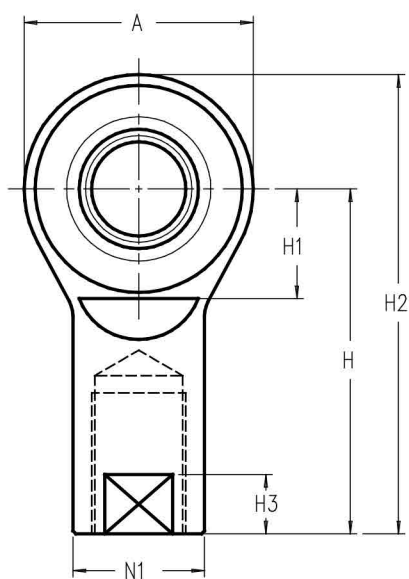


Standard : Cable screen not connected to transducer
Faradisation non connectée au capteur

Load direction



EMBOF > STANDARD DIMENSIONS



Ref. Item*	Dimension G	Capacities (N)		Ød	A	B	C	H	a (degree)	Ød1	G1	H1	H2	H3	N	N1	Weight (kg)
		Dynamic	Static														
EMBOF-M6-BA	M6	3600	9000	6	21	6	4.3	30	13	10	11	10.5	40.5	8	9	11	0.017
EMBOF-M8-BA	M8	5850	14600	8	24	8	6	36	15	13	15	12	48	10	11	13	0.034
EMBOF-M10-BA	M10	8560	21600	10	29	9	7	43	12	16	15	14	57.5	11	14	16	0.060
EMBOF-M12-BA	M12	11400	28500	12	34	10	8	50	10	18	18	17.5	67	12	17	19	0.095
EMBOF-M16-BA	M16	22400	52000	17	46	14	11	67	10	25	24	23	90	15	22	25	0.23
EMBOF-M24x2-BA	M24x2	51000	102000	25	64	20	17	94	7	35.5	36	32	126	18	30	35	0.62
EMBOF-M30x2-BA	M30x2	65500	134000	30	73	22	19	110	6	40.7	45	35	146.5	19	36	42	0.97
EMBOF-M36x3-PTFE	M36x3	112000	143000	35	82	25	21	125	6	47	60	42	166	15	50	47	1.4
EMBOF-M45x3-PTFE	M45x3	220000	280000	50	112	35	30	160	6	66	68	60	216	20	65	62	3.55
EMBOF-M56x4-PTFE	M56x4	440000	630000	70	160	49	42	200	6	92	80	84	280	20	85	80	8.3
EMBOF-M64x4-PTFE	M64x4	570000	780000	80	180	55	47	230	6	105	85	100	320	25	100	95	13

* Material: BA - bronze auto-lubricated; PTFE - polytetrafluoroethylene

→ Other capacities and dimensions available on request

Dimensions in mm

Other view

